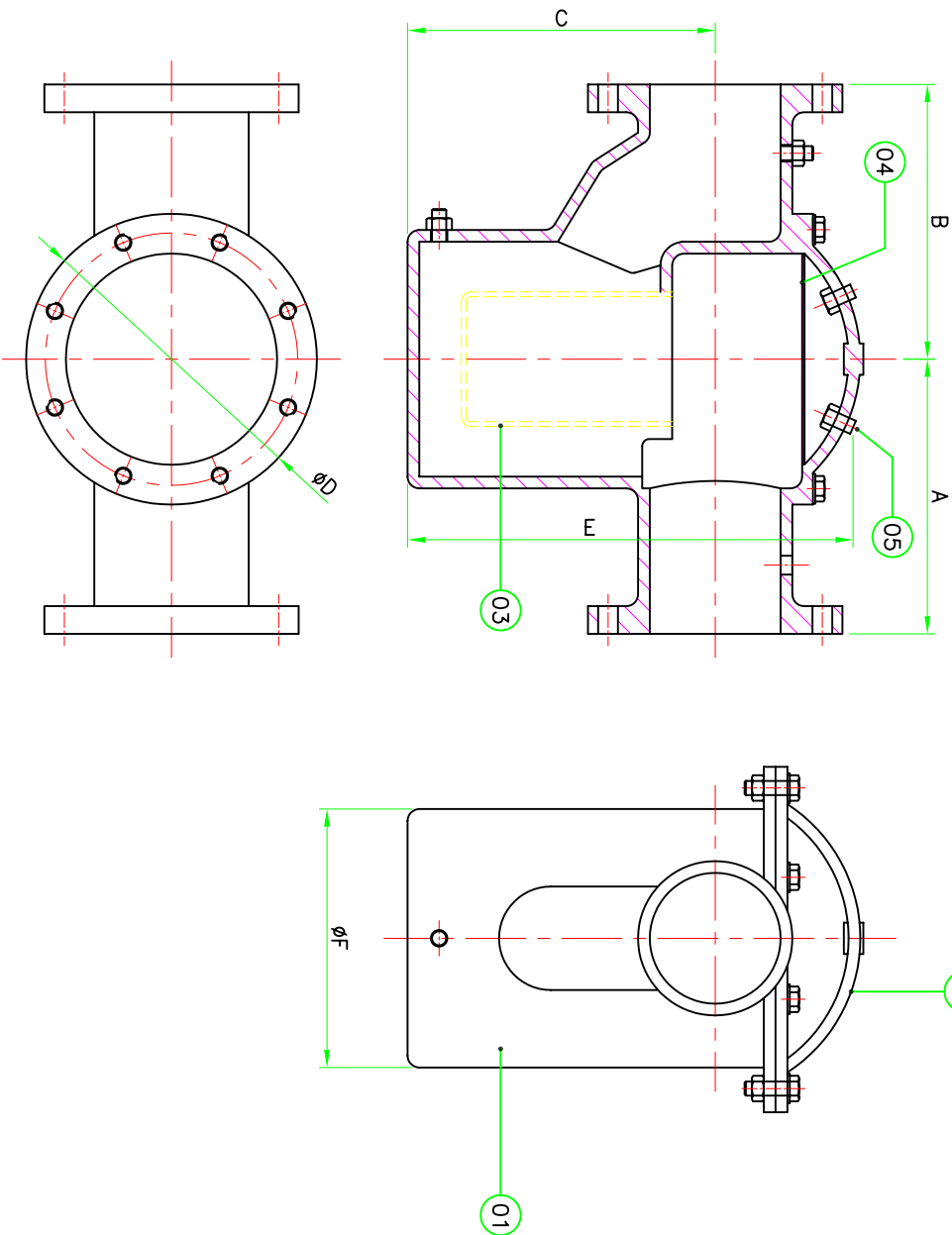


(WE RESERVE THE RIGHT TO CHANGE DESIGN AND TECHNICAL DATA FURNISHED HERE DUE TO CONTINUOUS PRODUCT DEVELOPMENT)



NO.	DESCRIPTION	QTY.	MATERIAL
1	BODY	1	ASTM A 216 Gr. WCB
			ASI 304 Gr. CF8
			ASI 316 Gr. CF8M
			IS 210 Gr. FG 220
2	COVER	1	ASTM A 216 Gr. WCB
			ASI 304 Gr. CF8
			ASI 316 Gr. CF8M
			IS 210 Gr. FG 220
3	SCREEN	1	S.S. 304
			S.S. 316
			BRASS
4	GASKET	1	RUBBER
5	COVER BOLT	Req. M.S.	S.S. 304
			S.S. 316

TECHNICAL NOTE-

1. FLANGES MAY BE DRILLED TO IS 538/ASA 125#/150#/BS 10 TABLE D/E OR DIN ND 10/16
2. STRAINER ELEMENT CAN ALSO BE S.S. 304/316 WIRE MESH FOR FINE FILTRATION MAY BE PROVIDE.
3. ALL THD. ARE BSP.

HYDRO TEST PRESSURE

BODY :- 20 Kg/cm²

	A	B	C	D	E	F	G
G	3/8"	1/4"	1/4"	1/4"	1/4"	3/4"	3/4"
ØF	116	160	185	208	230	275	300
E	320	345	405	465	495	585	663
ØD	170	212	245	290	310	340	370
C	180	210	255	315	355	400	445
B	135	185	210	260	295	310	390
A	116	145	172	200	220	235	290
SIZE	40	50	65	80	100	125	200

DIMENSION TABLE

UNSPECIFIED TOLERANCE FOR MACHINED DIM.	DESCRIPTION		
0-75	CAST IRON POT STRAINER		
75-300			
300-600			
± 0.2	± 0.4	± 0.6	± 0.75
RATING	SIZE		
-	40 TO 300(mm)		
END CONNECTION	STANDARD	ALL DIMENSIONS ARE IN M.M. UNLESS OTHERWISE SPECIFIED	
FLANGED ENDS	-	REMOVE SHARP CORNERS	

MANUFACTURERS & EXPORTER
M. KUMAR TECHNOCRATES
 SR. 9, RAMBHA COMPLEX, ASHRAM ROAD,
 ASHERABAD - 380 014, (GUJARAT) INDIA
 PHONE:- 0091-79-27645287.
 FAX:- 0091-79-27645319.
 EMAIL:- INFO@MKTALYERS.COM
WWW.MKTALYERS.COM
 MMSSTE-311E / M.M. AMTECH

SCALE	N.T.S.	GHV	DATE
STRAINER	-	-	-
VALVE TYPE	-	-	-
PROJECTION	-	-	-
THIRD ANGLE	-	-	-

SHEET No. 01 OF 01
 DRW. No. AMTECH
 REV. 00